



Appendix E

How to Assemble Traps

Contents

Materials for Assembling Delta Traps	E-1
Procedures for Assembling Delta Traps	E-2
Materials for Assembling Milk-Carton Traps	E-5
Procedures for Assembling Milk-Carton Traps	E-5

Materials for Assembling Delta Traps

Gather the following materials:

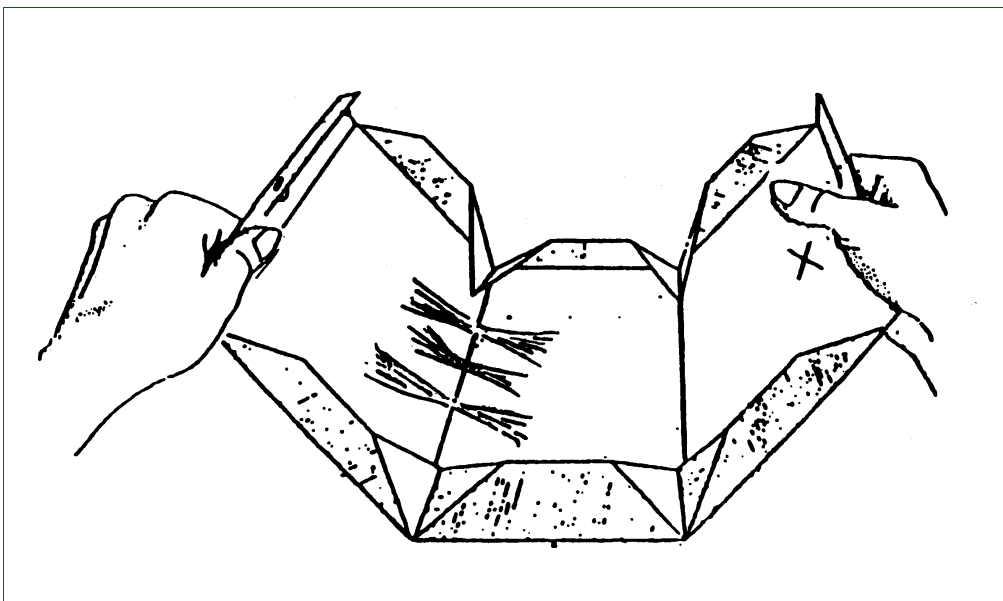
- ◆ Delta trap
- ◆ Disparlure dispenser (string or strip)
- ◆ Stapler
- ◆ Paper clips
- ◆ Staples, wire, hammer, nails, or string for hanging the trap

Procedures for Assembling Delta Traps

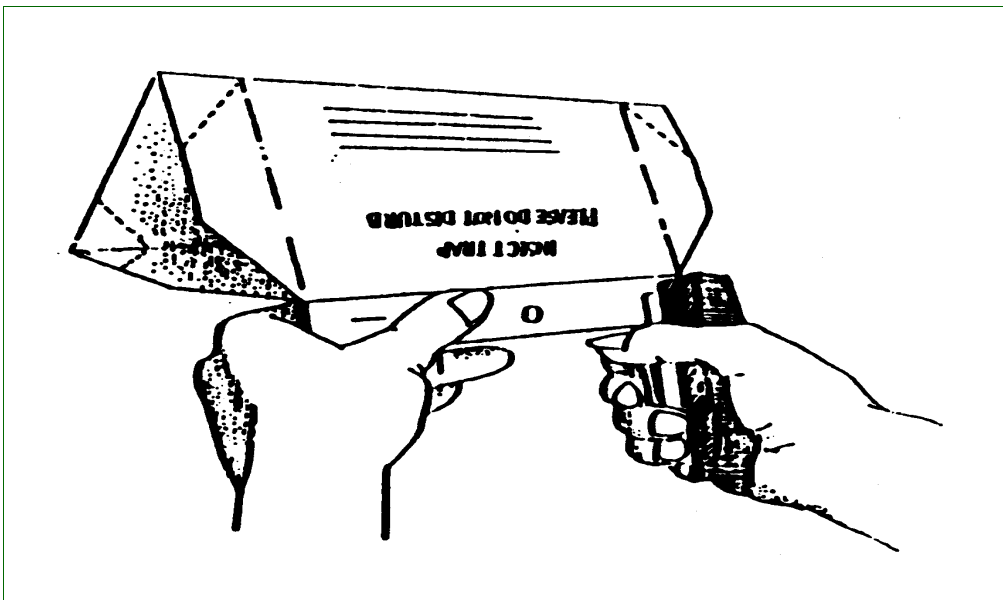
Use the following instructions for assembling the delta trap:

Step 1—Staple the lure to the “X” on the nonsticky side.

Step 2—Pull the trap open — pull sticky sides away from each other.



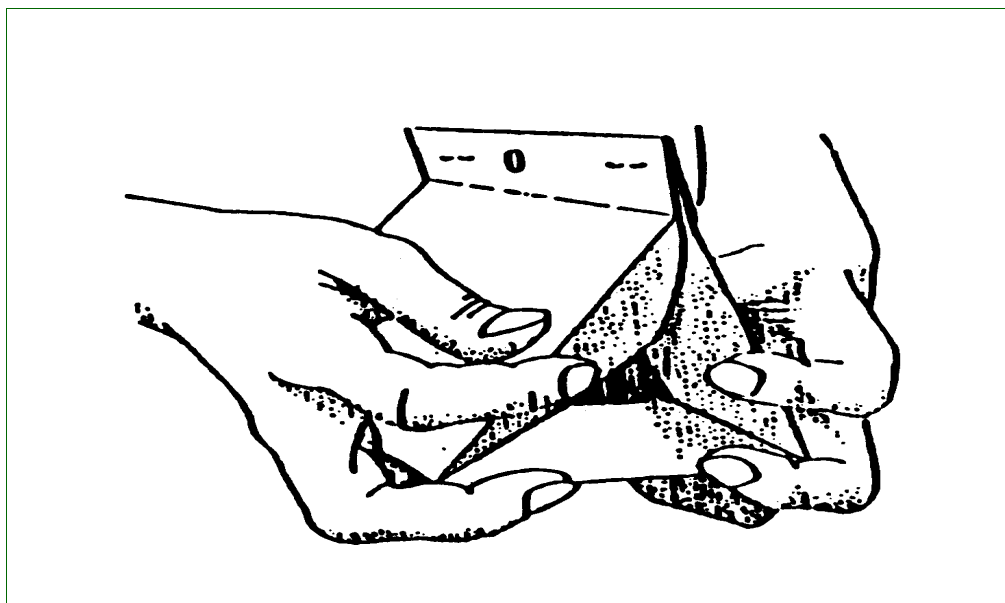
Step 3—Fold the trap into a triangle. Fold top flap over and staple or paper clip together.



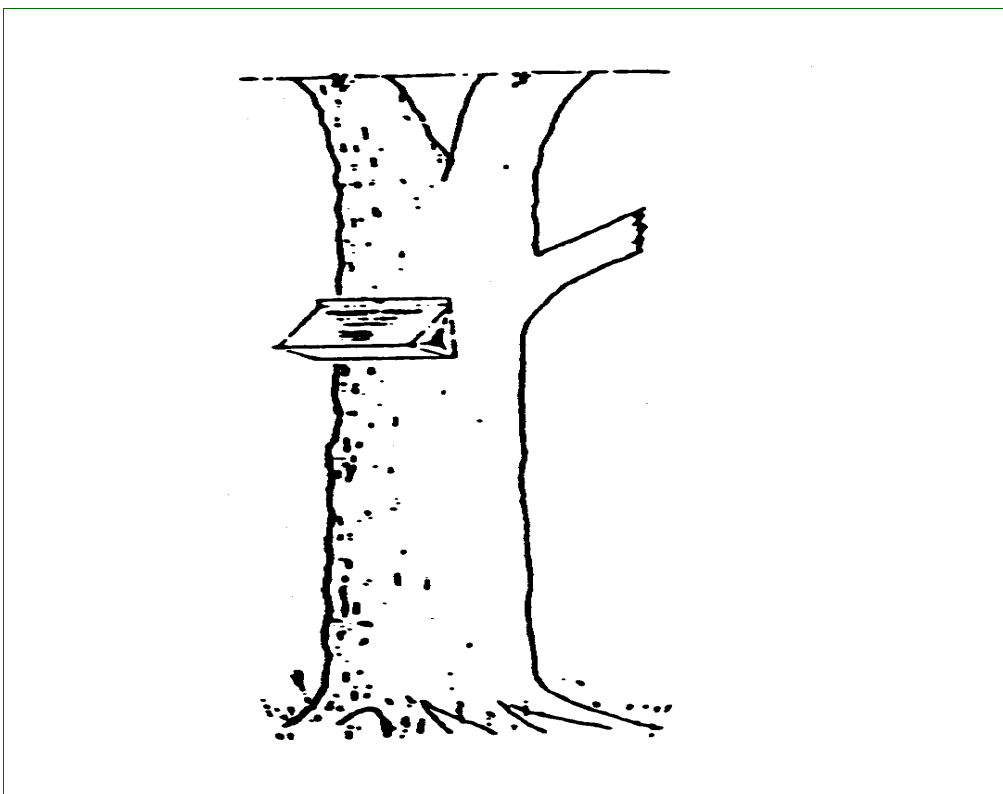
Step 4—Fold in corners at both ends.



Step 5—Fold in sides at both ends.



Step 6—Hang or staple trap in place (4 to 5 feet off the ground — chest high).



Materials for Assembling Milk-Carton Traps

Gather the following materials to assemble a milk-carton trap:

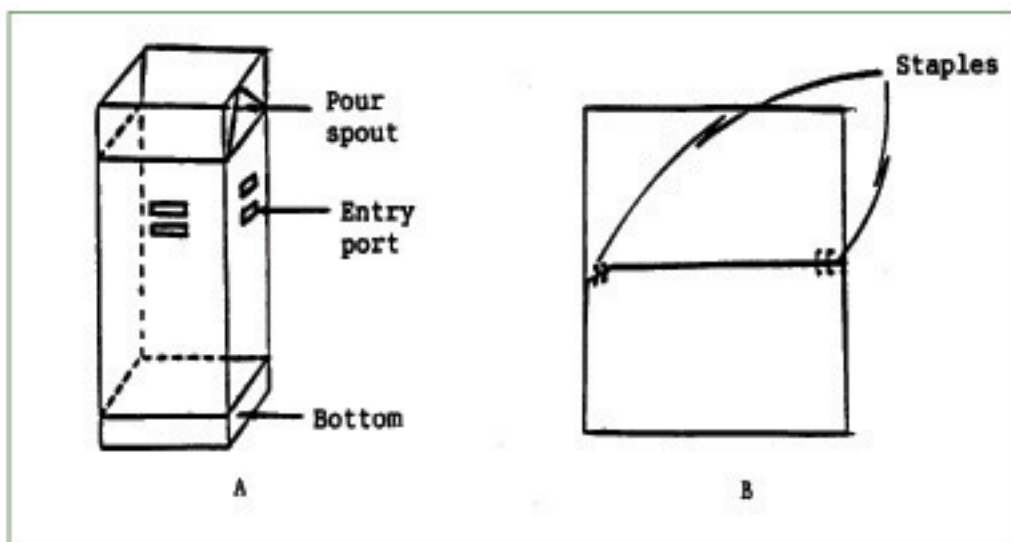
- ◆ Trap body
- ◆ Trap hood
- ◆ Seven inch twist tie (available in most garden stores)
- ◆ Disparlure dispenser
- ◆ Insecticide strip
- ◆ Stapling pliers
- ◆ Cotton twine (20 ply or stronger) or flexible wire for hanging trap

Procedures for Assembling Milk-Carton Traps

Use the following instructions for assembling the milk-carton trap:

Step 1— Pop out the paper inserts from the eight entry ports of the trap body and crease body lines several times.

Step 2— Open, invert, then fit the bottom together (A). Fasten the bottom with stapling pliers (B).

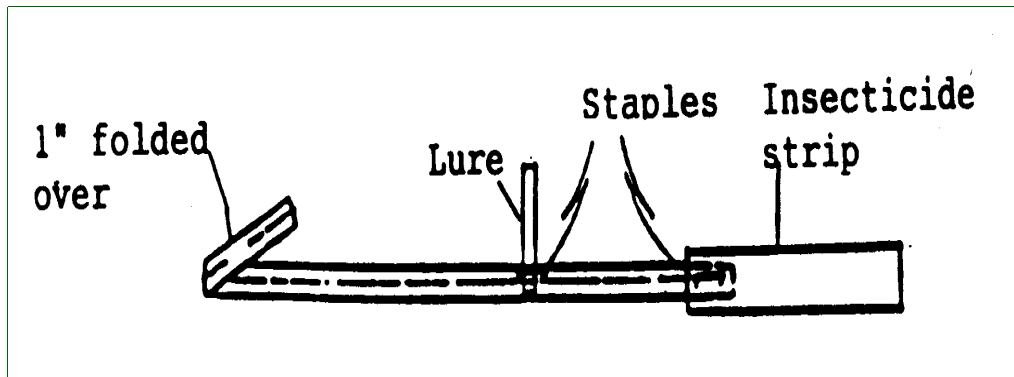


Step 3— Pop out the center insert of the trap hood, crease all tabs up, and crease all solid lines.

Slide the hood (shiny side up) over the body from the top until you go below the slits which are above the trap entrances. Slide the hood upwards so the semicircular tabs on the hood slide into the slits. Staple the tabs to the trap body with stapling pliers.

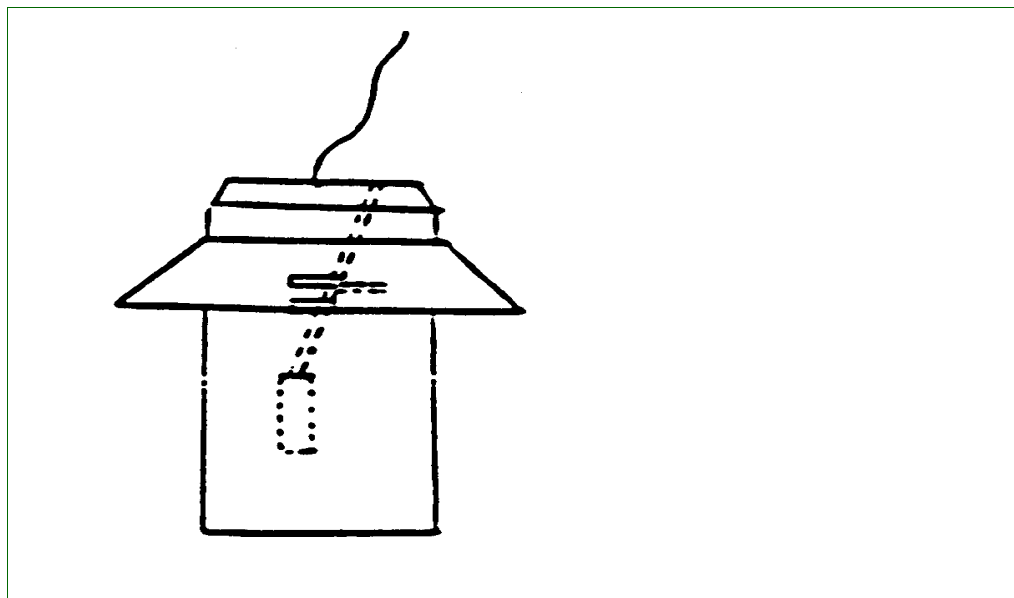
Step 4—Staple the insecticide strip onto one end of a 7 inch strip of twist tie.

Use the outer package or rubber gloves to handle the insecticide strip. Handle the insecticide strip as little as possible. Staple the disparlure perpendicular to the twist tie and about 2 1/2 inches above the insecticide strip. Fold over the top inch of the twist tie.



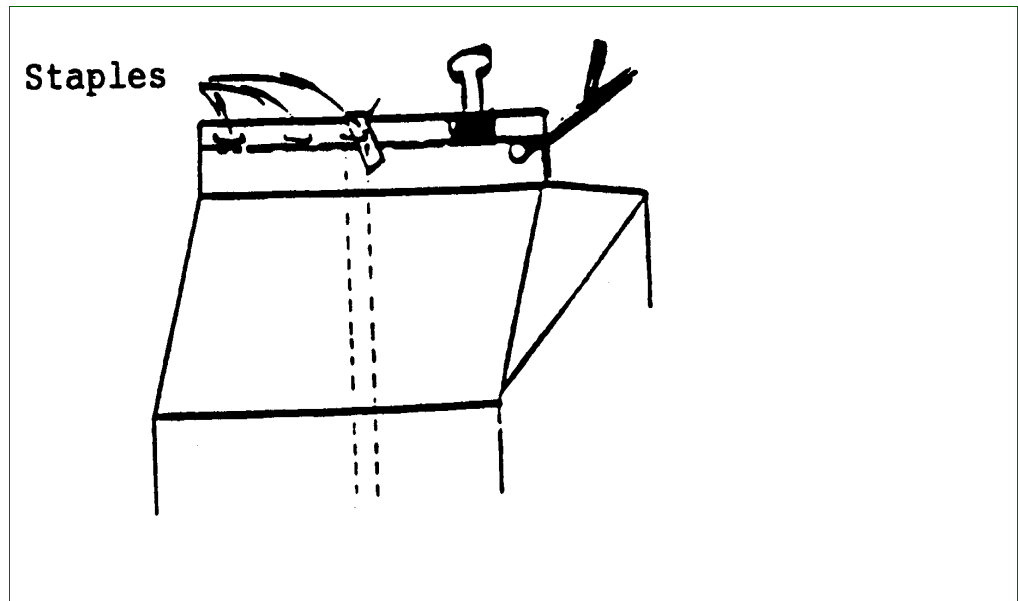
Step 5—Insert the twist tie into the trap body, leaving the top inch folded over the trap top.

Place the insecticide and disparlure near the center of the trap. Place the top of the twist tie just behind where the pour spout will open. Staple the twist tie to the top half of the milk carton that is not the pour spout.



Step 6—Fold the top ends of the trap in toward the center of the trap so the two sides are parallel to one another.

The end with the crease is the pour spout—do not staple the top portion of the pour spout end. To close the trap, staple the top of the other half of the trap and use a binder clip or twist tie to secure the pour spout.



Step 7—Staple a 24 inch length of cotton twine (20 ply or stronger) to the top center of the milk carton.

Hang the trap 4 to 5 feet above ground level away from obstructive branches and foliage.

To service the trap, just open the pour spout, empty trap contents, and close the spout.

